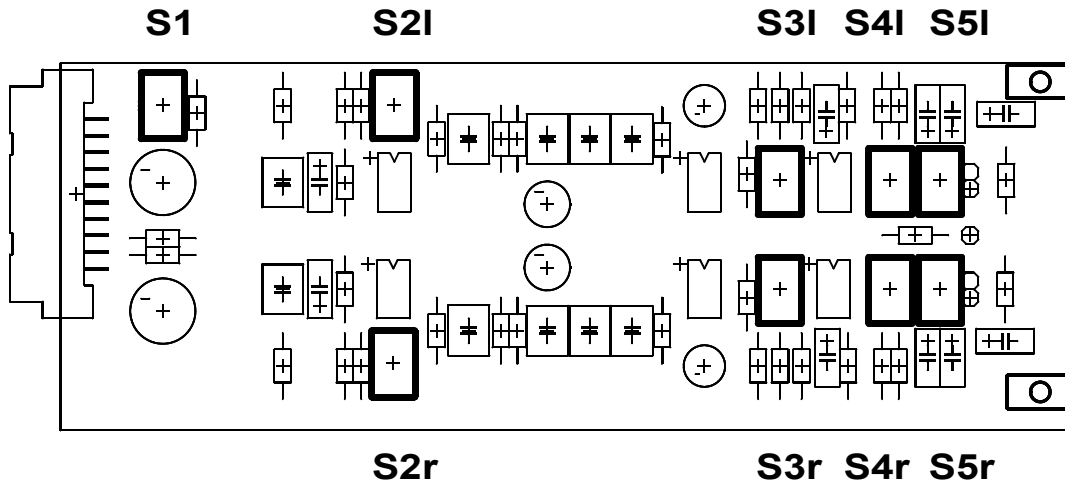


## 2.5 Setting of the phono card (option)

To ensure that the phono card works in an optimal way, it must be set according to the requirements of the cartridge. Please refer to the operating manual / technical data of your cartridge to find out the correct settings. The setting is done by switches on the pcb. The upper switches are for the right channel, the lower for the left channel. The switches for both channels must be set identically.



		S1/1+2	S2/1	S2/2	S3/1	S3/2	S4/1	S4/2	S5/1	S5/2
<b>MM-cartridges</b>		OFF			OFF	OFF	OFF	OFF		
<b>Output voltage</b>	< 1 mV		ON	ON						
	1 mV – 2,5 mV		OFF	ON						
	2,5 mV - 5 mV		ON	OFF						
	> 5 mV		OFF	OFF						
<b>Load capacitance</b>	up to 200 pF								OFF	OFF
	200 - 350 pF								ON	OFF
	350 - 450 pF								OFF	ON
	450 - 600 pF								ON	ON
		S1/1+2	S2/1	S2/2	S3/1	S3/2	S4/1	S4/2	S5/1	S5/2
<b>MC-cartridges</b>		ON			ON	ON			OFF	OFF
<b>Output voltage</b>	< 100 µV		ON	ON						
	100 µV - 250 µV		OFF	ON						
	250 µV - 500 µV		ON	OFF						
	> 500 µV		OFF	OFF						
<b>Load resistance</b>	25 - 75 Ohms						ON	ON		
	75 - 150 Ohms						ON	OFF		
	150 - 500 Ohms						OFF	ON		
	> 500 Ohms						OFF	OFF		